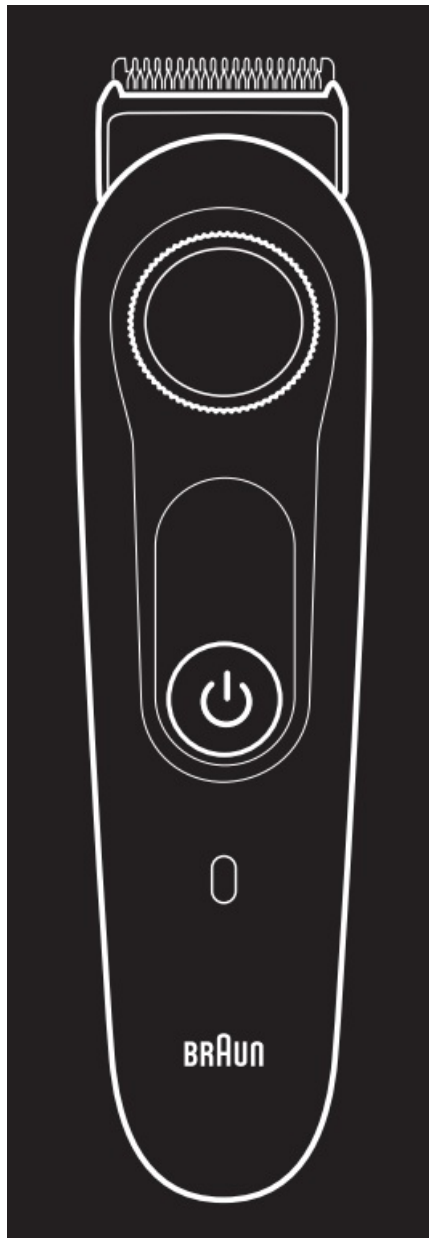




# BRAUN Type 5544 Hair Clipper User Manual

[Home](#) » [Braun](#) » [BRAUN Type 5544 Hair Clipper User Manual](#) 

**BRAUN Type 5544 Hair Clipper**



## Contents

- 1 Thank you!
- 2 **PRODUCT OVERVIEW**
- 3 CHARGING
- 4 **INSTALLATION INSTRUCTIONS**
- 5 **USE INSTRUCTIONS**
- 6 ON/OFF
- 7 **IMPORTANT SAFETY INSTRUCTIONS**
- 8 DANGER
- 9 WARNING
- 10 Important
- 11 Description
- 12 Environmental notice
- 13 Battery removal
- 14 How to obtain service in the USA
- 15 How to obtain service in Canada
- 16 100 day money back satisfaction guarantee for men's grooming products
- 17 FOR USA ONLY
- 18 FOR CANADA ONLY
- 19 Documents / Resources
  - 19.1 References
- 20 Related Posts

## Thank you!

Thank you for purchasing a Braun product.

We hope you are completely satisfied with your new Braun shaver.

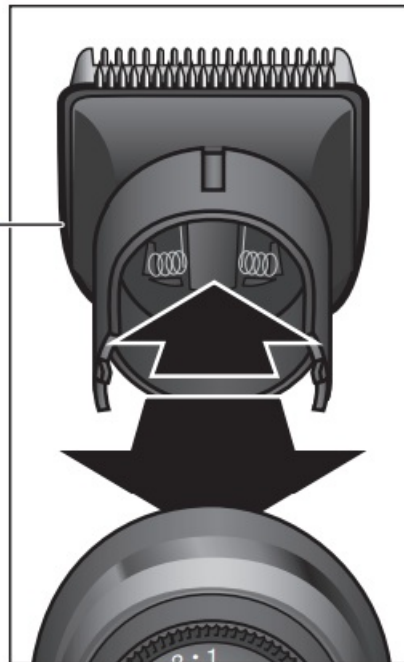
If you have any questions, please visit [www.service.braun.com](http://www.service.braun.com) or call: US residents 1-800-BRAUN-11 1-800-272-8611 Canadian residents 1-800-387-6657

**Braun Canada** : 1-800-387-6657

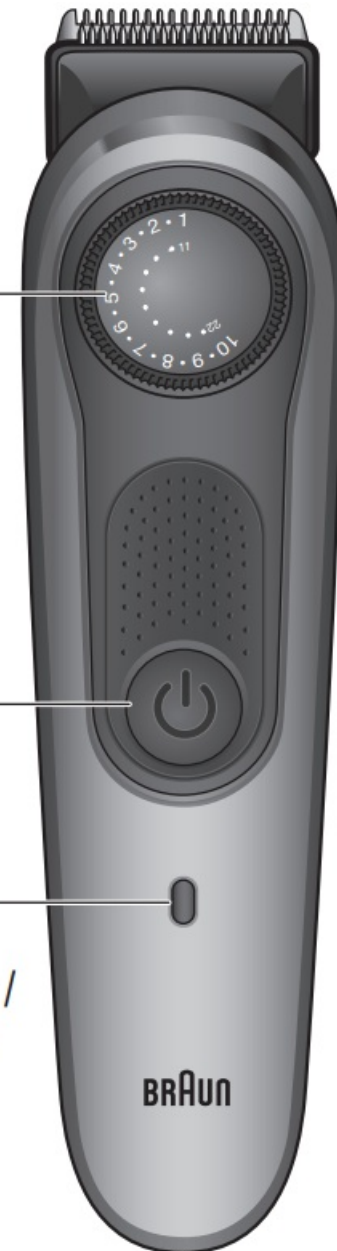
**Type** 5544

## PRODUCT OVERVIEW

**1a/1b** Trimmer head<sup>\*/\*\*</sup>



**2** Length selector



**3** On/off button

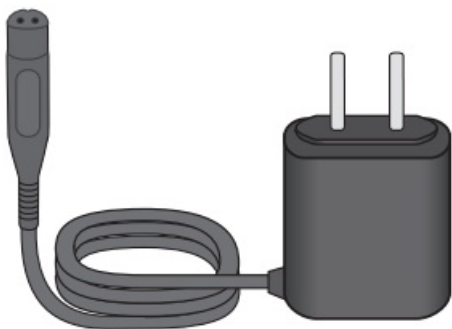
**4** Charging indicator

○ - green: charging /  
battery charged

● - red: battery is  
running low

**5** Power socket

## 6 Power supply\*\*



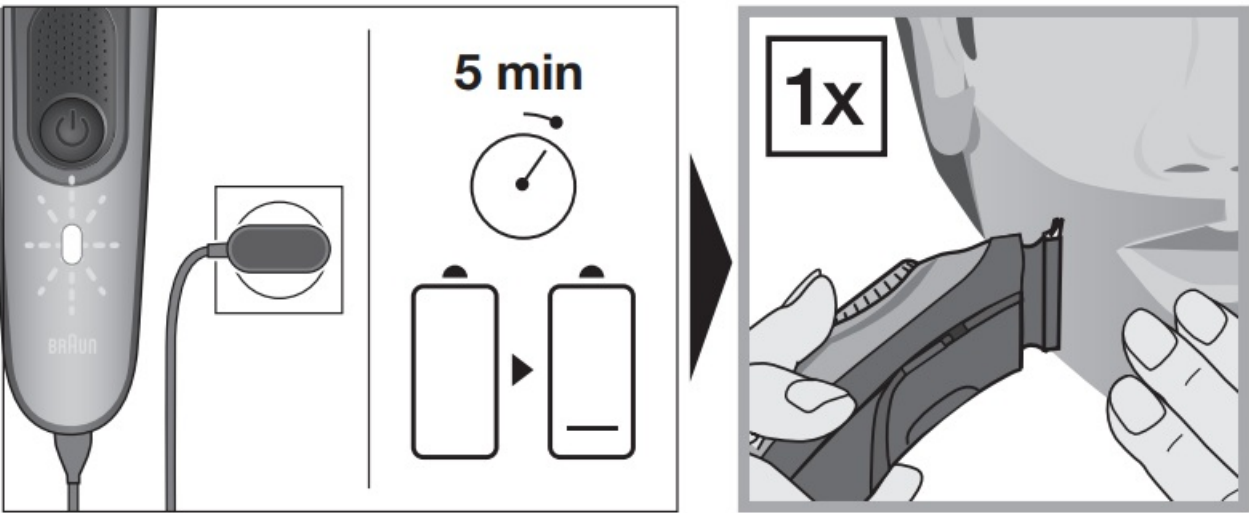
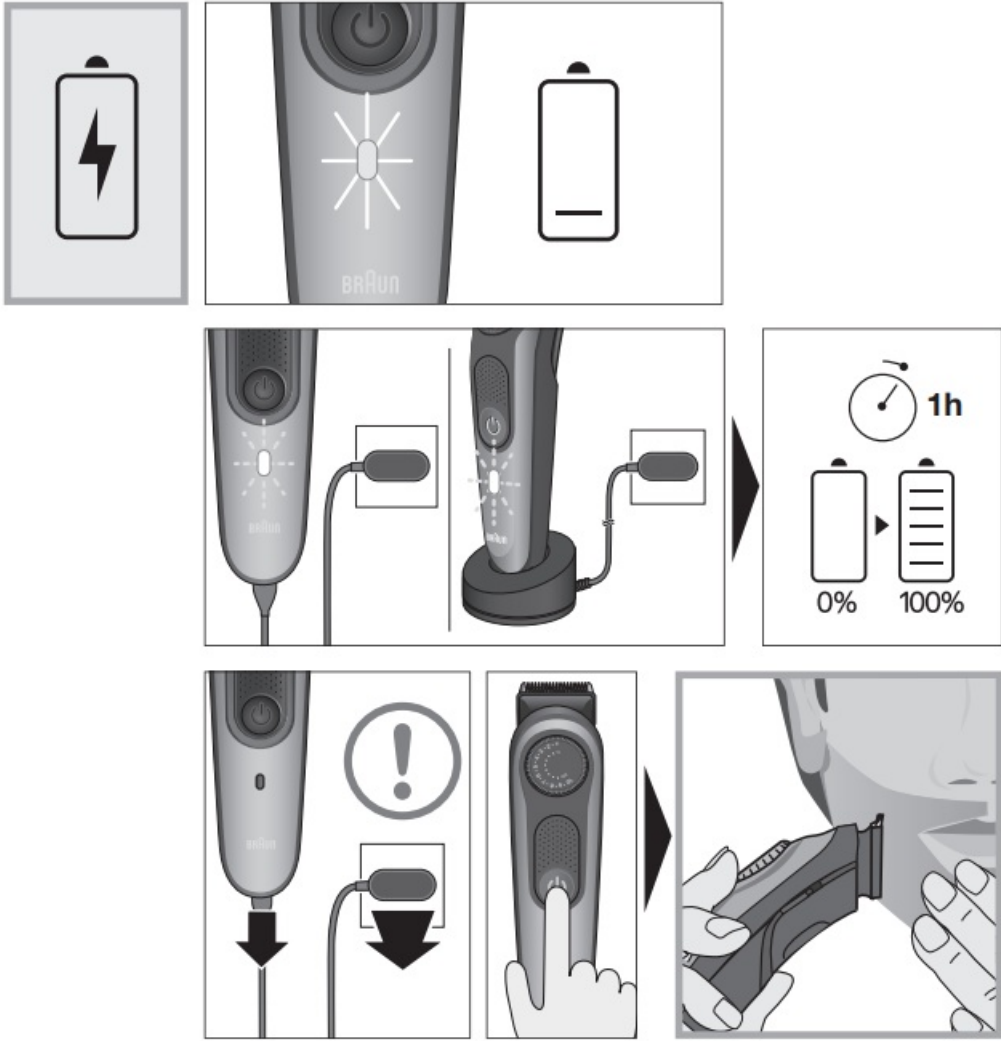
## 7 Charging stand\*/\*\*



\* not with all models

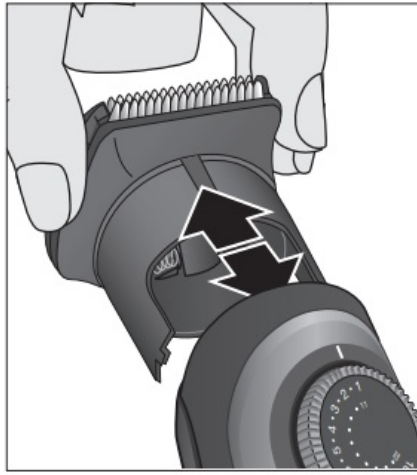
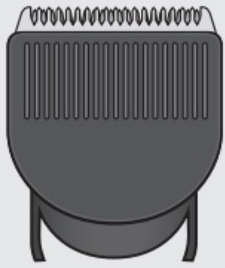
\*\* design can differ

## CHARGING

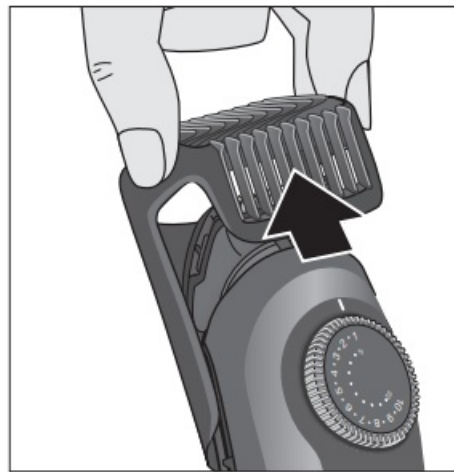
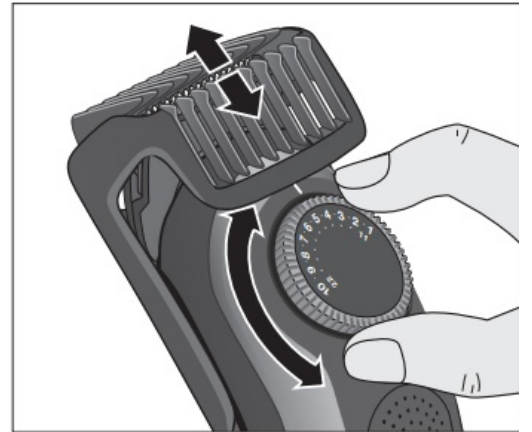
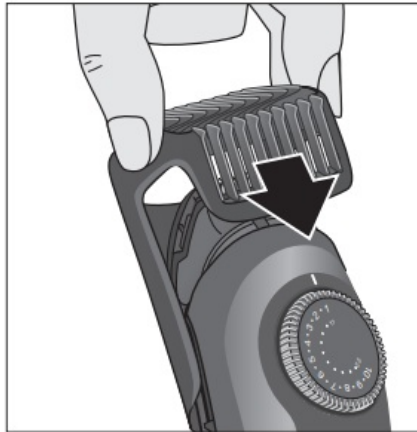


**INSTALLATION INSTRUCTIONS**

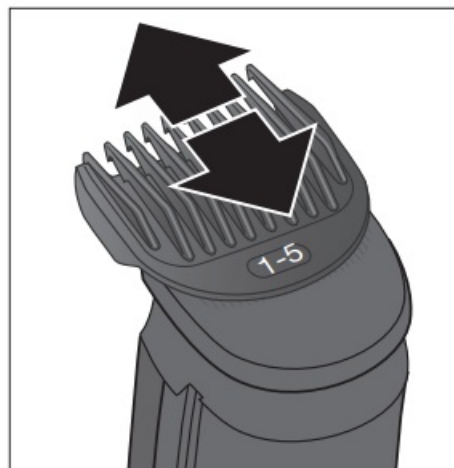
1a - 1g



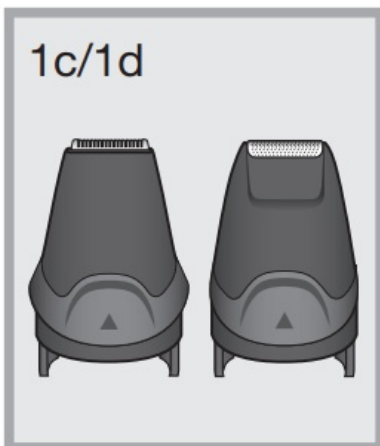
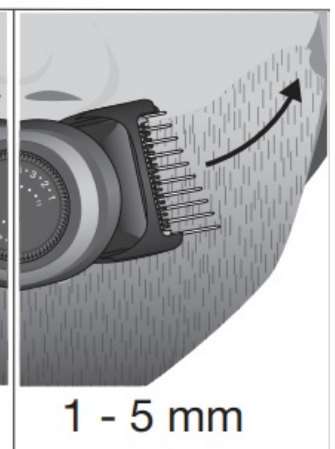
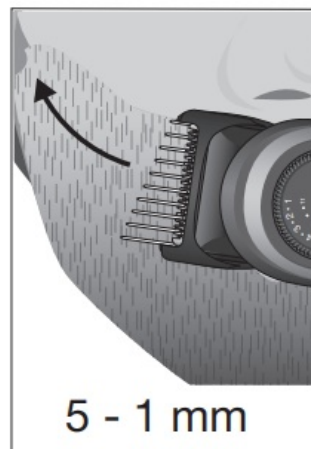
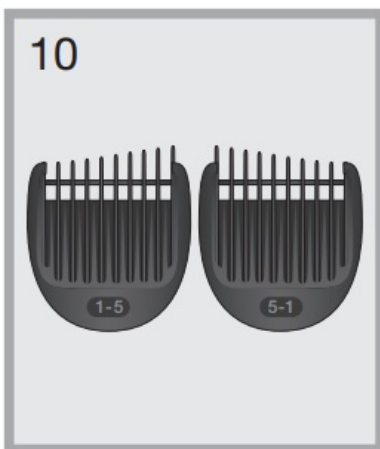
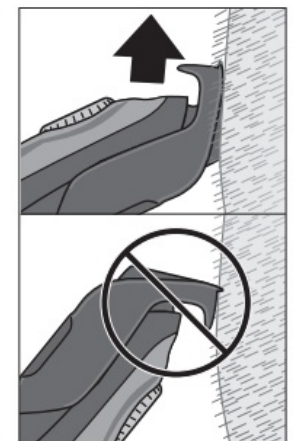
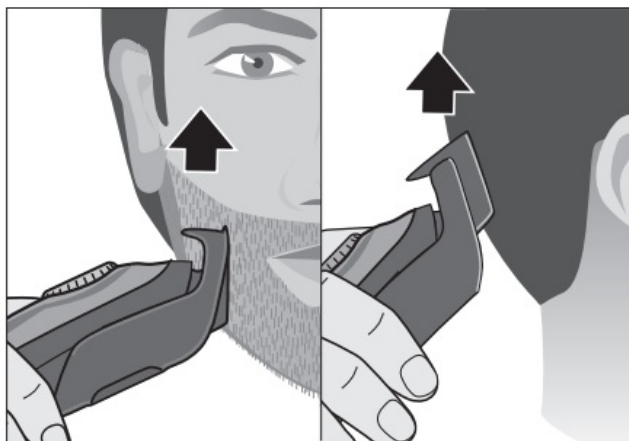
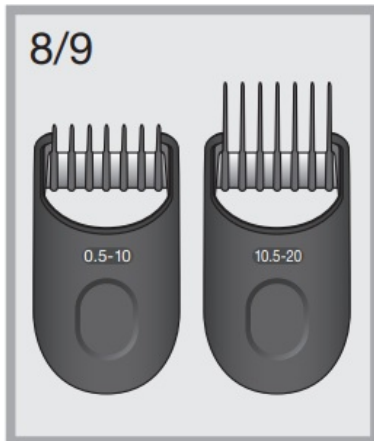
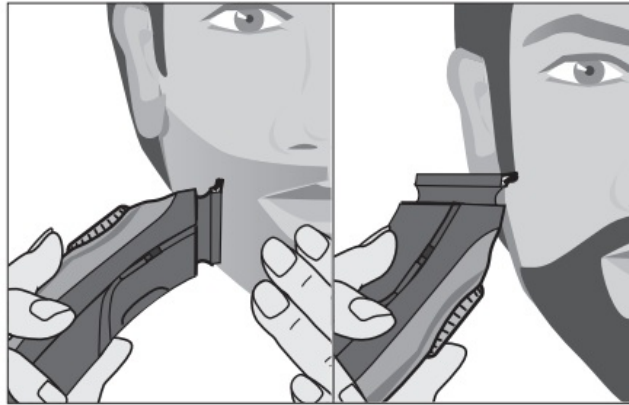
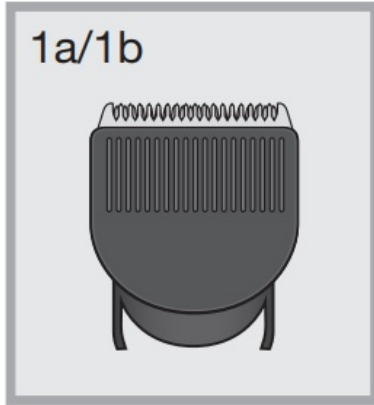
8/9

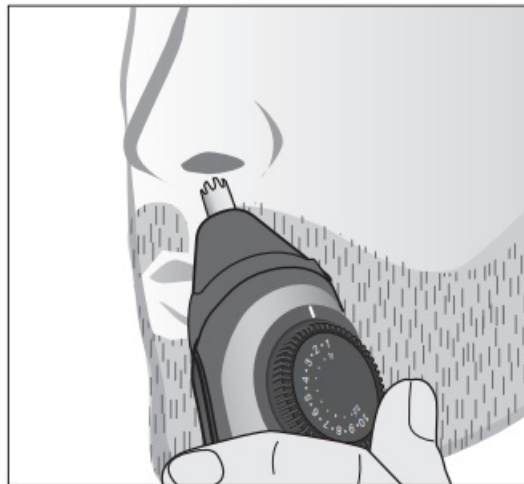
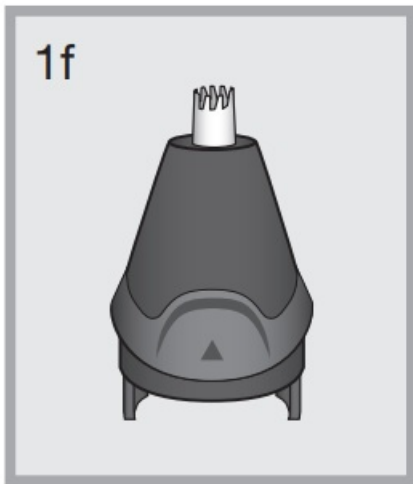
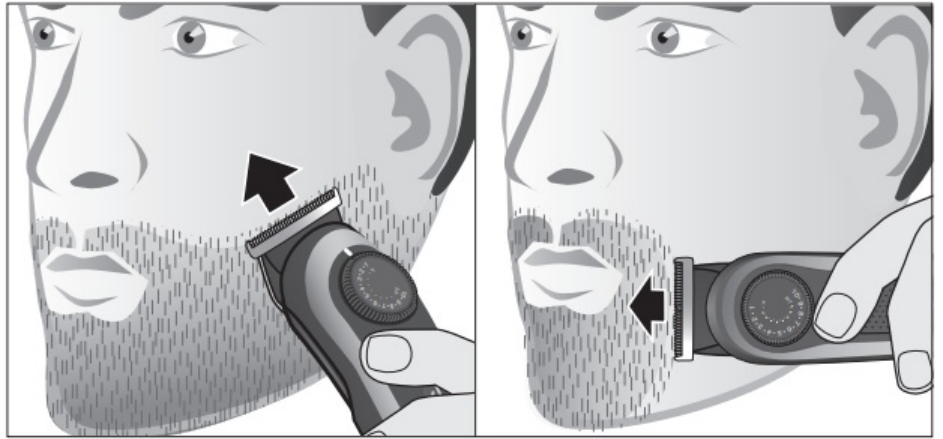


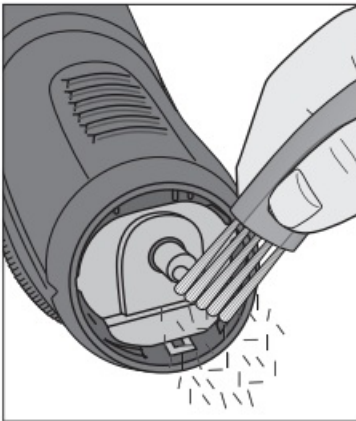
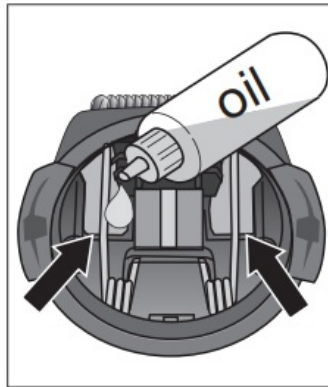
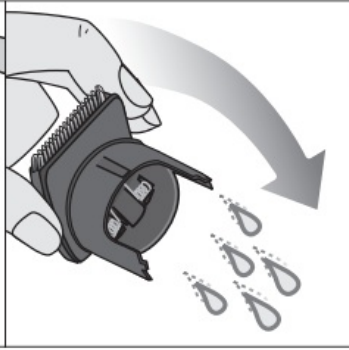
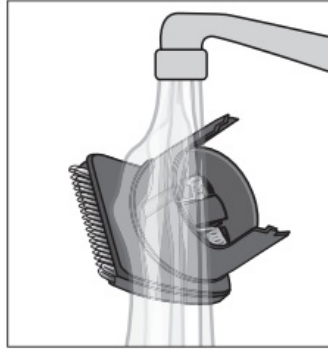
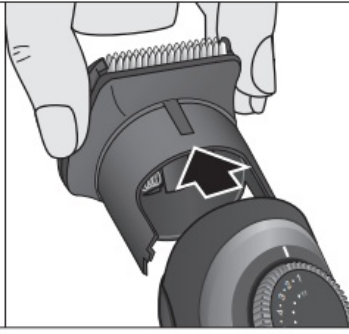
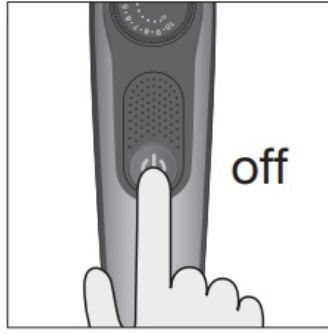
10

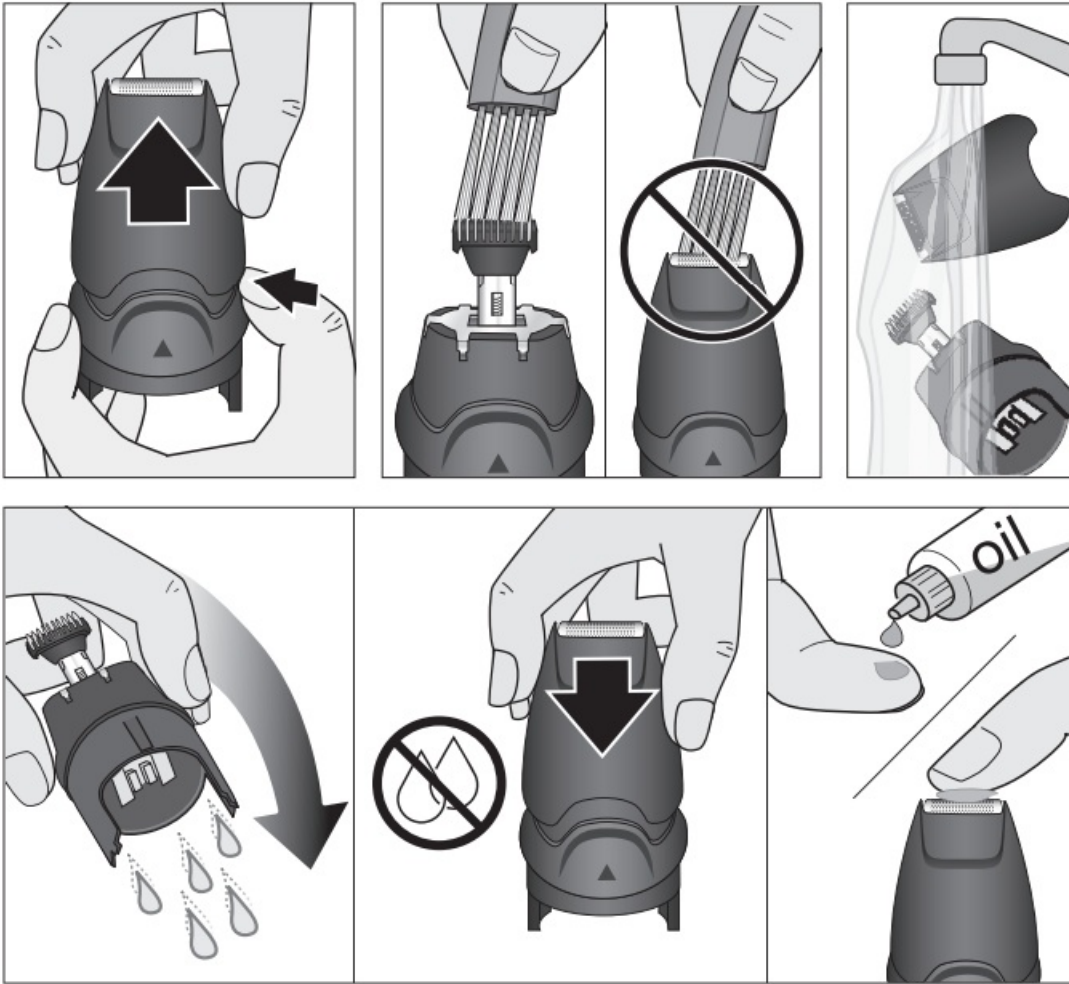


# USE INSTRUCTIONS

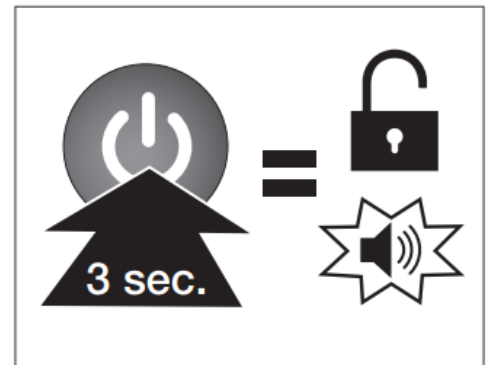
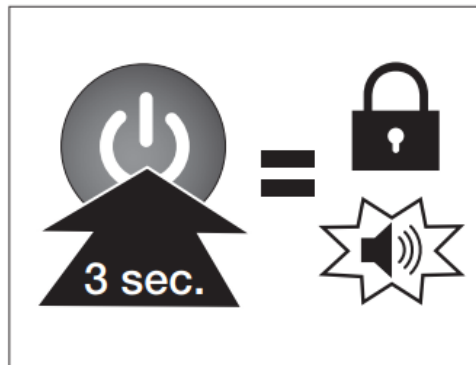








## ON/OFF



## IMPORTANT SAFETY INSTRUCTIONS

When using an electrical appliance, basic precautions should always be followed, including the following:  
Read all instructions before using this appliance.



**WARNING:** When disconnected, the hand-held part of this appliance may be used in a bath or shower. For safety reasons, the appliance can only be operated cordless.

## DANGER

### **To reduce the risk of electric shock:**

1. The charger unit is not for immersion in water or for use in shower.
2. Do not reach for an appliance that has fallen into water. Unplug immediately.
3. Do not place, store or charge the appliance where it can fall or be pulled into a tub or sink. Do not place in or drop into water or other liquid.
4. Except when charging, always unplug this appliance from the electrical outlet immediately after using.
5. This appliance is provided with a special cord set with integrated Safety Extra Low Voltage power supply. Do not exchange or manipulate any part of it.
6. Do not use an extension cord with this appliance.
7. Unplug this appliance before cleaning.

### **WARNING**

#### **To reduce the risk of burns, fire, electric shock, or injury to persons:**

1. This appliance is not intended for use by persons (including children) with reduced physical, sensory or mental capabilities, or lack of experience and knowledge, unless they have been given supervision or instruction concerning use of the appliance by a person responsible for their safety. Children should be supervised to ensure that they do not play with the appliance.
2. Use this appliance only for its intended use as described in this manual. Do not use attachments not recommended by the manufacturer.
3. Never operate this appliance if it has a damaged cord or plug, if it is not working properly, if it has been dropped or damaged, or if the power supply has been dropped into water. Return the appliance to a service center for examination and repair.
4. Keep the cord away from heated surfaces.
5. Never drop or insert any object into any opening of this appliance.
6. Do not use outdoors or operate where aerosol (spray) products are being used or where oxygen is being administered.
7. Do not use this appliance with a damaged or broken cutter or comb, as serious skin injuries may occur.
8. Always attach plug to appliance first, then to outlet. To disconnect, turn all controls off, then remove plug from outlet.
9. When plugging to an electrical outlet outside North America, use a plug adapter to match the outlet's pin configuration.
10. Caution: The battery used in this device may present a fire or chemical burn hazard if mistreated. Do not disassemble, heat above 100 °C (212 °F) or incinerate.
11. To recharge the battery, only use the detachable power supply provided with this appliance. If the appliance is marked  
492, only use Braun power supplies coded 492-XXXX

### **SAVE THESE INSTRUCTIONS**

**This appliance is designed for household use only.**

#### **Caution**

Keep power supply dry.

The body trimmer head must only be used with a comb attachment in delicate areas.  
Avoid introducing the ear & nose trimmer head more than 5 mm into nose or ear.

## Important

Do not open the appliance!

The appliance contains batteries that are non-replaceable.

Only at the end of the product's useful life, disassemble the rechargeable battery for disposal reasons as shown in the battery removal section. Recommended ambient temperature for charging is 41 °F to 95 °F / 5 °C to 35 °C.

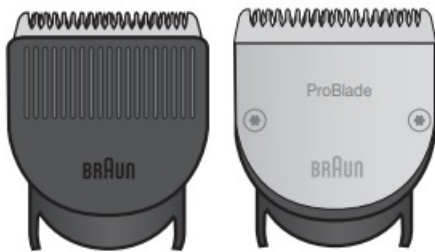
The battery may not charge properly or at all under extreme low or high temperatures. Recommended ambient temperature for trimming is 60 °F to 95 °F / 15 °C to 35 °C.

Do not expose the appliance to temperatures higher than 122 °F / 50 °C for extended periods of time.

To keep the trimmer working properly, oil it with light machine oil (not included) regularly.

## Description

### 1. 1a/1b Trimmer head\*/\*\*



1a/1b Trimmer head\*/\*\*

### 1c Detail trimmer head\*/\*\*



1c Detail trimmer head\*/\*\*

### 1d Mini foil shaver head\*



1d Mini foil shaver head\*

### 1e Contouring head\*



1e Contouring head\*

1f Ear & Nose trimmer head\*



1f Ear & Nose trimmer head\*

1g Body trimmer head\*



1g Body trimmer head\*

2. Length selector
3. On/off button
4. Charging indicator
  - **green:** charging / battery charged
  - **red:** battery is running low
5. Power socket
6. Power supply\*\*
7. Charging stand\*/\*\*
8. Precision beard comb (0.5 – 10 mm)\*/\*\*



**8** Precision beard comb<sup>\*/\*\*</sup>  
(0.5-10 mm)

9. Precision hair comb (10.5 – 20 mm)<sup>\*/\*\*</sup>



**9** Precision hair comb<sup>\*/\*\*</sup>  
(10.5-20 mm)

10. Fading beard combs (1-5 mm / 5-1



**10** Fading beard combs<sup>\*</sup>  
(1-5 mm / 5-1 mm)

\* not with all models

\*\* design can differ

For electric specifications, see printing on the special cord set.

## Environmental notice

Product contains batteries and/or recyclable electric waste.

For environment protection do not dispose of in household waste, but for recycling take to electric waste collection points provided in your country.

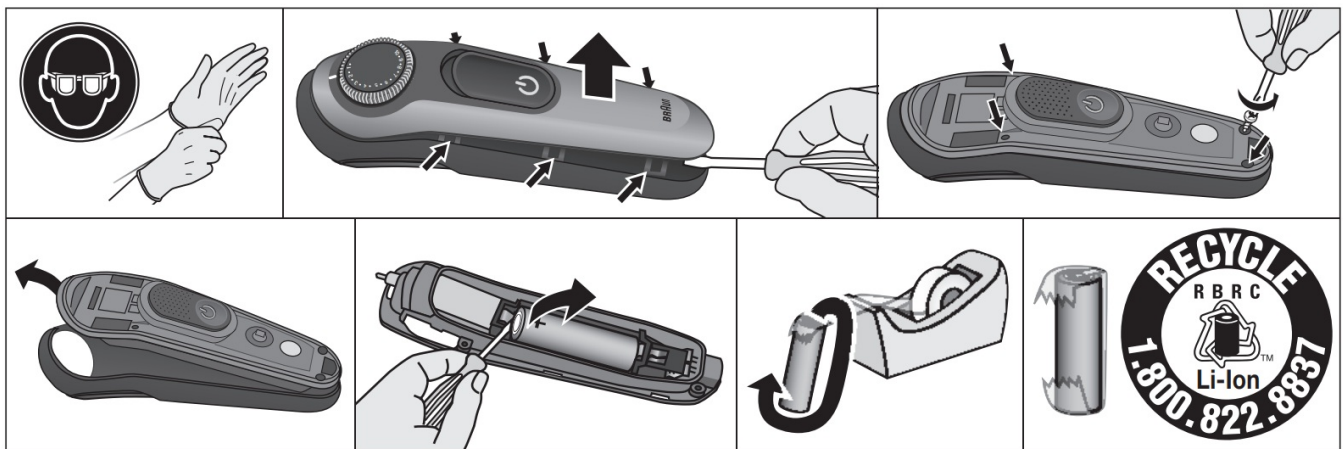
Subject to change without notice.



## Battery removal

This appliance contains rechargeable batteries. Before disposing of the appliance, disassemble the housing as shown, remove the rechargeable batteries and recycle or dispose of properly, according to local guidelines.

**Caution:** Disassembling the appliance will destroy it.



## How to obtain service in the USA

Should your Braun product require service, please call 1-800-BRAUN 11 (272-8611) to be referred to the Authorized Braun Service Center closest to you or visit [www.service.braun.com](http://www.service.braun.com).

### To obtain service:

- A.** Carry the product in to the Authorized Braun Service Center of your choice or,
  - B.** Ship the product to the Authorized Braun Service Center of your choice.
- Pack the product well.  
Ship the product prepaid and insured (recommended).  
Include a copy of your proof of purchase to verify warranty coverage, if applicable.

**To obtain original Braun replacement parts and accessories:** Contact a Braun Authorized Service Center. Please call 1-800-BRAUN 11 (272-8611) to be referred to the Authorized Braun Service Center closest to you or visit [www.service.braun.com](http://www.service.braun.com).

**To speak to a Braun Consumer Service Representative:**  
Please call 1-800-BRAUN 11 (272-8611).

## How to obtain service in Canada

Should your Braun product require service, please call 1-800-387-6657 to be referred to the Authorized Braun Service Center closest to you or visit [www.service.braun.com](http://www.service.braun.com).

### To obtain service:

- A.** Carry the product in to the Authorized Braun Service Center of your choice or,
  - B.** Ship the product to the Authorized Braun Service Center of your choice.
- Pack the product well.  
Ship the product prepaid and insured (recommended).  
Include a copy of your proof of purchase to verify warranty coverage, if applicable.

**To obtain original Braun replacement parts & accessories:**

Contact a Braun Authorized Service Center.

Please call 1-800-387-6657 to be referred to the Authorized Braun Service Center closest to you or **visit** [www.service.braun.com](http://www.service.braun.com).

To speak to a Braun Service Representative:

Please call 1-800-387-6657.

## **100 day money back satisfaction guarantee for men's grooming products**

### **Braun Shavers**

### **Braun Trimmers**

Once you have tried your new Braun product, we are confident you will appreciate its performance. We suggest using the product regularly for 2 to 3 weeks. If you are not satisfied with the product, please call 1-800-211-6661 for instructions on how to return the product. Return the unit and all parts within 100 days of purchase. Retain original cash receipt, product and all product parts, including the box. Do not return to the retailer for guarantee fulfillment.

Please note: No refunds will be made for any product damaged by accident, neglect or unreasonable use.

Your product must be shipped in its original packaging, with your original sales slip indicating the date of purchase.

Please include the following information when you return your product:

Please allow 6-8 weeks for handling.

## **FOR USA ONLY**

### **2 year limited warranty**

Braun warrants this Braun product to be free of defects in material and workmanship for a period of two years from the date of original purchase.

If the product exhibits such a defect, Braun will, at its option, either repair or replace it for the consumer without charge.

Please call 1-800-Braun 11 (800-272-8611) to be referred to the authorized Braun Service Center closest to you or visit [www.service.braun.com](http://www.service.braun.com).

This warranty does not cover damage resulting from accident, misuse, abuse, dirt, water, tampering, unreasonable use, normal wear, servicing performed or attempted by unauthorized service agencies or failure to provide reasonable and necessary maintenance, including recharging.

**ALL IMPLIED WARRANTIES, INCLUDING ANY IMPLIED WARRANTY OF MERCHANTABILITY OR FITNESS FOR ANY PARTICULAR PURPOSE, ARE LIMITED IN DURATION TO 2 YEARS FROM DATE OF ORIGINAL PURCHASE. IN NO EVENT WILL BRAUN BE RESPONSIBLE FOR CONSEQUENTIAL DAMAGES RESULTING FROM THE USE OF THIS PRODUCT.**

Some states do not allow the exclusion or limitation of incidental or consequential damages, so the above limitation or exclusion may not apply to you.

This warranty gives you specific legal rights, and you may also have other legal rights which vary from state to state.

## **FOR CANADA ONLY**

### **2 year limited warranty**

In the event a Braun product fails to function within 2 years from date of purchase, because of defects in material or workmanship, and the consumer returns the unit to an authorized service center, Braun Canada, will, at its option, either repair or replace the unit without additional charge to the consumer.

This guarantee does not cover any product, which has been damaged by dropping, tampering, wrong current, servicing performed or attempted by unauthorized service agencies, misuse or abuse, as well as the normal wear of the shearing parts.

**Exclusion of Warranties:** The foregoing warranty is the sole warranty offered by Braun Canada. Braun Canada

hereby disclaims any implied warranty or merchantability or fitness for any particular purpose. In no event will Braun Canada be responsible for consequential damages resulting from the use of this product.




**Braun Infolines**




---

## Documents / Resources

	<p><a href="#">BRAUN Type 5544 Hair Clipper</a> [pdf] User Manual Type 5544 Hair Clipper, Type 5544, Hair Clipper, Clipper</p>
--	--

## References

-  [Braun Service](#)
- [User Manual](#)

Manuals+